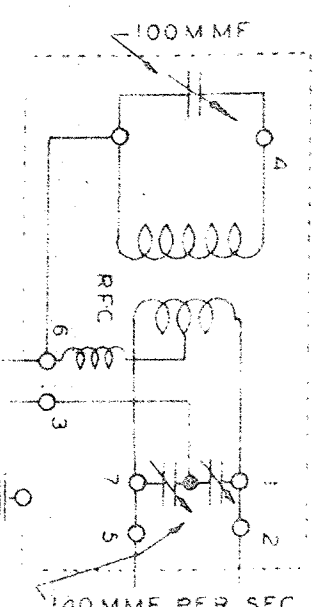
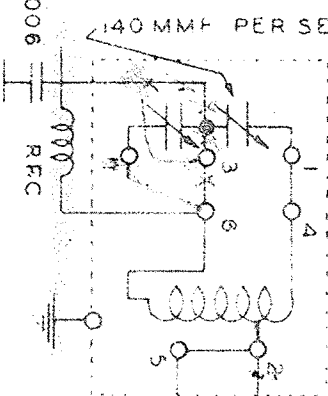


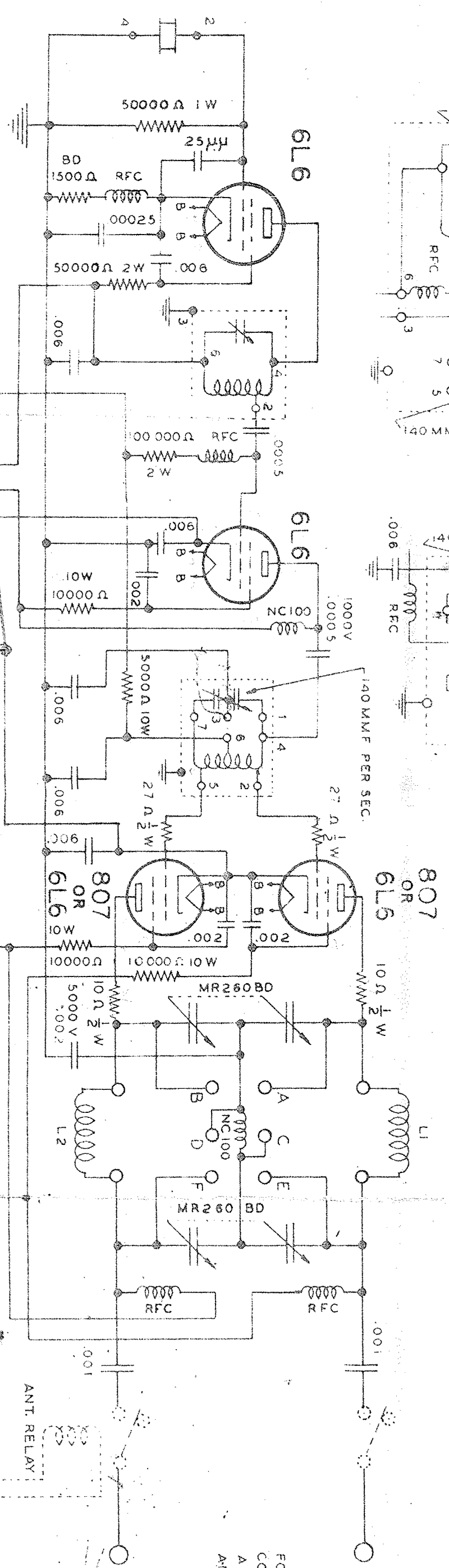
SPECIAL 2ND BUFFER
HIGH FREQUENCY BALANCED OUTPUT



SPECIAL 2ND BUFFER
PARALLEL OUTPUT

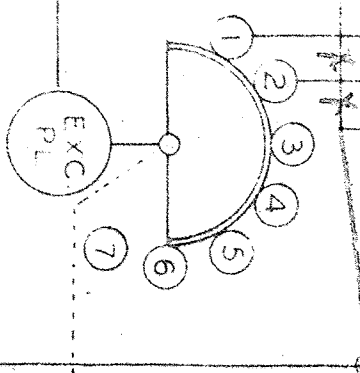


MAT. GRADE	DRAWN BY: L. E. B	DATE: 1-2-1940	COLLINS RADIO COMPANY
FINISH:	TRACED BY: R. S. A	DATE: 1-2-1940	CEDAR RAPIDS, IOWA
UNIT: 32G-20 TRANSMITTER	CHECKED BY: J. B.	DATE: 2-1-1940	
SCHEMATIC		SCALE	DRAWING NO. 1373C-1



NOTE
FOR PARALLEL OUTPUT
CONNECT JUMPER
A TO B, C TO D, E TO F
AND REMOVE L2

NOTE
5. Buffer is grounded to ground
Don't ground to ground
Don't ground to ground



SELECTOR SWITCH POSITIONS

- OS OSCILLATOR
- OB OSCILLATOR 1ST BUFFER
- TN TUNE FINAL AMP
- FA FINAL AMP, METERING TUBE A
- FB FINAL AMP, METERING TUBE B
- CW FINAL AMP, CW POSITION
- PH " " PHONE POSITION

NOTE

WHEN PUSH TO TALK RELAY IS
INSTALLED, REMOVE WIRES
SHOWN AS -X-X-. ADD WIRES
SHOWN AS -X-X-.

