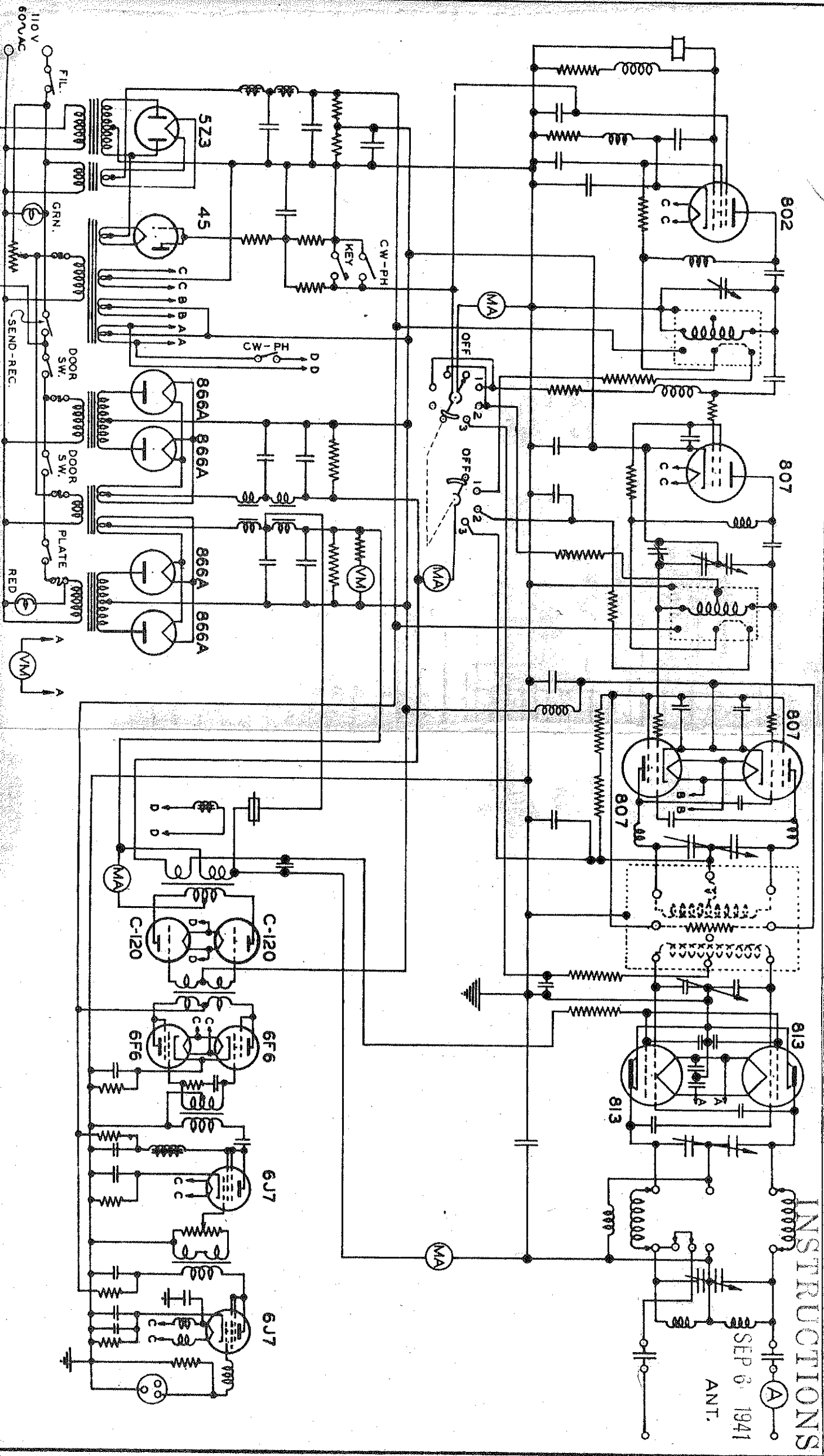


30J-18 SIMPLIFIED SCHEMATIC

MAT. \_\_\_\_\_ GRADE \_\_\_\_\_  
 FINISH \_\_\_\_\_  
 UNIT: \_\_\_\_\_  
 DRAWN BY: M.S.S. DATE: 4-11-1939  
 TRACED BY: W.M.H. DATE: 7-16-1940  
 CHECKED BY: *W.M.H.* DATE: 7-16-1940

COLLINS RADIO COMPANY  
 CEDAR RAPIDS, IOWA  
 DRAWING NO. 1751B-1  
 SCALE \_\_\_\_\_



INSTRUCTIONS

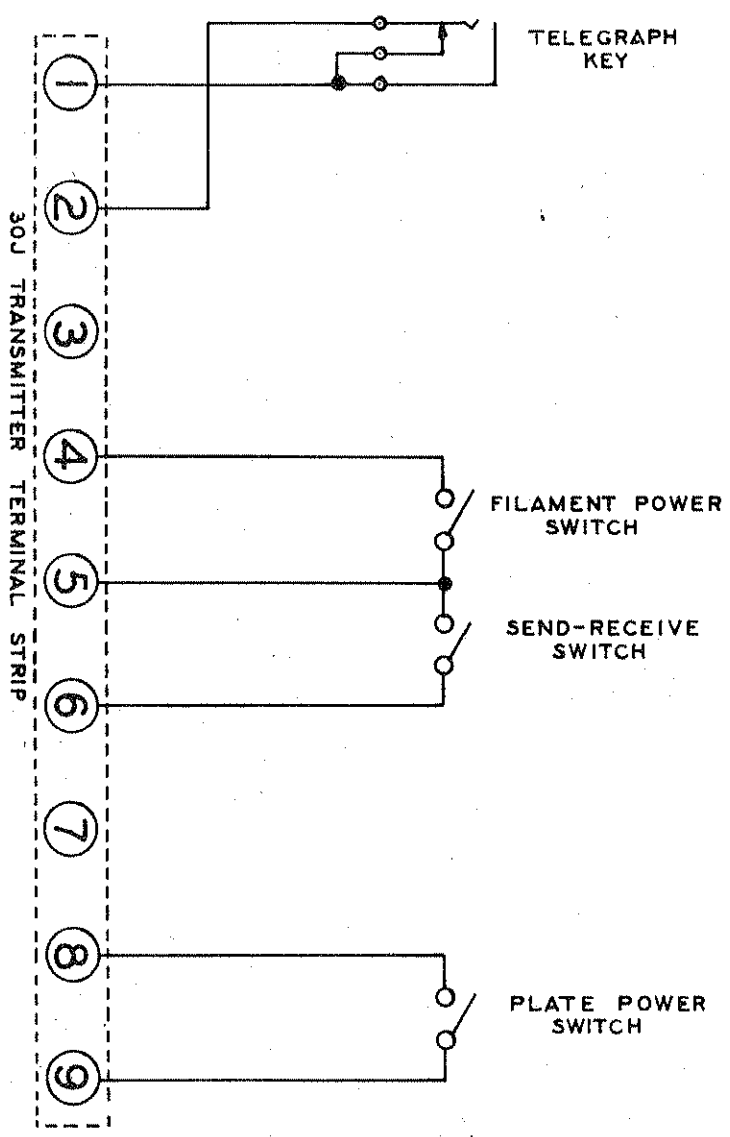
SEP 8 1941

ANT.

MAT.:	GRADE:	DRAWN BY: M.S.S.	DATE: 6-1-1940	COLLINS RADIO COMPANY
FINISH:		TRACED BY: R.G.A.	DATE: 6-13-1940	CEDAR RAPIDS, IOWA
UNIT: 30J REMOTE CONTROL CONNECTIONS		CHECKED BY: <i>M.S.S.</i>	DATE: 6-14-1940	DRAWING NO. 1922A-1
			SCALE:	

# INSTRUCTIONS

SEP 6, 1941



NOTE  
INDUCTOR L<sub>1</sub> MOUNTS ON  
CONDENSER C<sub>2</sub> DIRECTLY  
L<sub>1</sub> IS TYPE 100C

